



Flood light

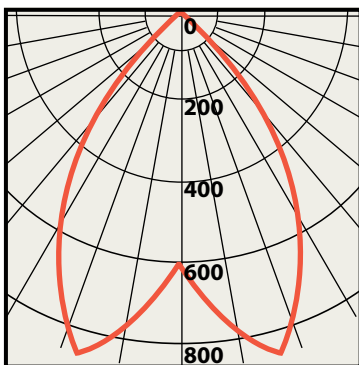


# 10W LED SPOTLIGHT

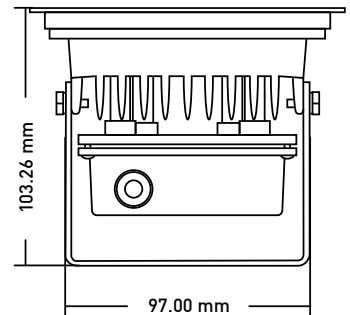
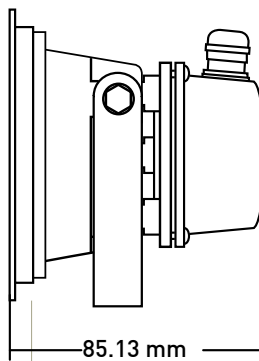


Property	Value
Power	10W
Voltage	230V / 2ph + Gnd
Current	0.05A
Power Fact.	0.6
Intensity	860lm
Angle	70°
CCT/Color	3200/4500/6000K
IRC	>80 / >80 / >70
IPLevel	IP65
Dimensions	86x97x103mm
Casing Color	Black / Grey
Dimmable	No
LED	Spotted Bridgelux

### Goniogram



Goniogram for a 70° Fixture



High reliability  
LED chips by



### References :

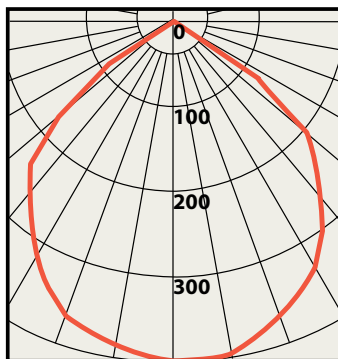
REF	Model	GTIN / EAN
BB010PSH907030	3200K 70° Black	5420061212467
BB010PSH907045	4500K 70° Black	5420061212474
BB010PSH907060	6000K 70° Black	5420061212481
BB010PSHG07030	3200K 70° Grey	
BB010PSHG07045	4500K 70° Grey	
BB010PSHG07060	6000K 70° Grey	

# 10W LED FLOODLIGHT

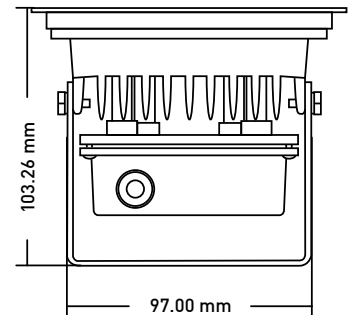
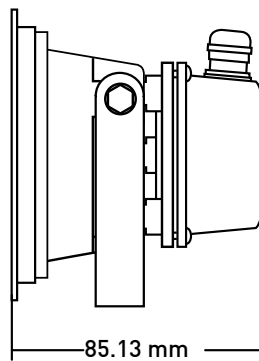
Property	Value
Power	10W
Voltage	230V / 2ph + Gnd Or 12 / 30VDC PWM Dimmable
Current	0.05A
Power Fact.	0.75
Intensity	860lm
Angle	120°
CCT/Color	3200/4000/6000K
IRC	>80 / >80 / >70
IPLevel	IP65
Dimensions	86x97x103mm
Casing Color	Black / Grey
Dimmable	No
LED	Spotted Bridgelux



## Goniogram



Goniogram for a 70° Fixture



High reliability LED chips by

High reliability  
LED chips by



## References :

REF	Model	GTIN / EAN
BB010PSH912030	3200K 120° Black	5420061204172
BB010PSH912045	4500K 120° Black	5420061204158
BB010PSH912060	6000K 120° Black	5420061204165
BB010PSHG12030	3200K 120° Grey	5420061210081
BB010PSHG12045	4500K 120° Grey	5420061209931
BB010PSHG12060	6000K 120° Grey	5420061210371

## 10W LED SPOTLIGHT

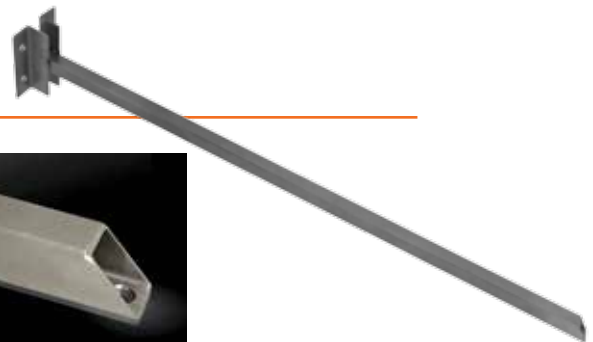


Property	Value
Power	10W
Voltage	230V / 2ph + Gnd
Current	0.05A
Power Fact.	0.75
Intensity	860lm
Angle	120°
CCT/Color	4500
IRC	80
IPLevel	IP65
Dimensions	86x97x103mm
Casing Color	Black / Grey / White
Dimmable	No
LED	Spotled Bridgelux
Cable length	1.5m

### References :

REF	Model	GTIN / EAN
BBS10PSHB12045	4500K 120° Black	5420061215864
BBS10PSHW12045	4500K 120° White	5420061215871
BBS10PSHG12045	4500K 120° Grey	5420061214782

## STAINLESS STEEL ARM



Property

Stainless Steel Arm  
750x20mm with  
M10 hole and 30x30x100  
mounting brackets

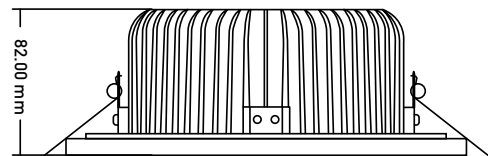
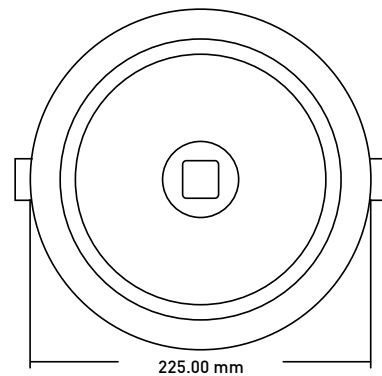


### References :

REF	GTIN / EAN
ZINOXBRA020750	5420061216540

# 25W LED DOWNLIGHT

Property	Value
Power	25W
Voltage	85-265VAC, 50-60Hz
Current	0.11A
Power Fact.	>0.95
Intensity	1750lm
Angle	60°
CCT/Color	3200/4500/6000K
IRC	>80 / >80 / >70
IPLevel	IP54 (front)
Dimensions	D 225x H 82mm
Cutting hole	D 205mm
Casing Color	White Rim
Dimmable	No
LED	Spotled Bridgelux



### Illuminance at a Distance

	Center Beam LUX	Beam Width	
		V	H
2m	189.64 LUX	3.6m	3.6m
4m	47.41 LUX	7.2m	7.2m
6m	21.07 LUX	10.7m	10.8m
8m	11.85 LUX	14.3m	14.4m
10m	7.59 LUX	17.9m	18.0m
12m	5.27 LUX	21.5m	21.6m

Vert.Spread : 83.6

Horiz.Spread : 83.9



### References :

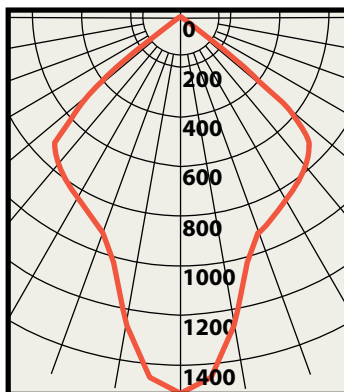
REF	Model	GTIN / EAN
BB025DSE906030	3200K 60° White	5420061206725
BB025DSE906045	4500K 60° White	5420061206732
BB025DSE906060	6000K 60° White	5420061206749

# 30W LED SPOTLIGHT

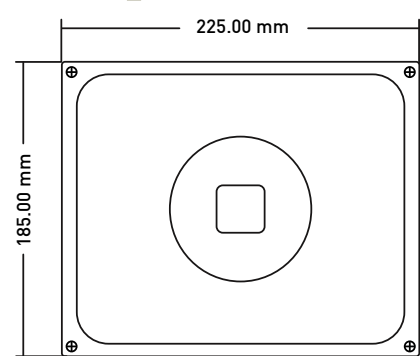
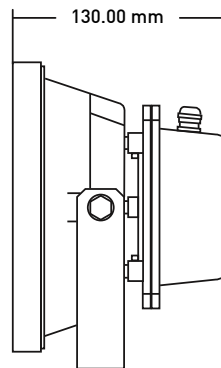
Property	Value
Power	30W
Voltage	230V / 2ph + Gnd
Current	0.13A
Power Fact.	0.96
Intensity	2600lm
Angle	90°
CCT/Color	3200/4000/6000K
IRC	>80 / >80 / >70
IPLevel	IP65
Dimensions	185x225x130mm
Casing Color	Black / Grey
Dimmable	No
LED	Spotled Bridgelux



## Goniogram



Goniogram for a 90° Fixture



High reliability LED chips by



## References :

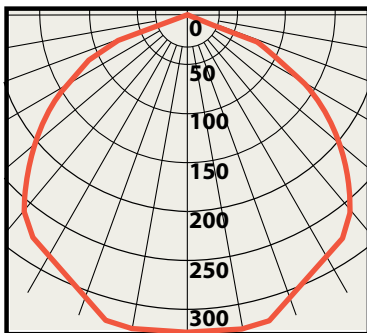
REF	Model	GTIN / EAN
BB030PSH909030	3200K 90° Black	5420061207401
BB030PSH909045	4500K 90° Black	5420061207395
BB030PSH909060	6000K 90° Black	5420061207326
BB030PSHG09030	3200K 90° Grey	5420061212504
BB030PSHG09045	4500K 90° Grey	5420061212511
BB030PSHG09060	6000K 70° Grey	5420061212528

# 30W LED FLOODLIGHT

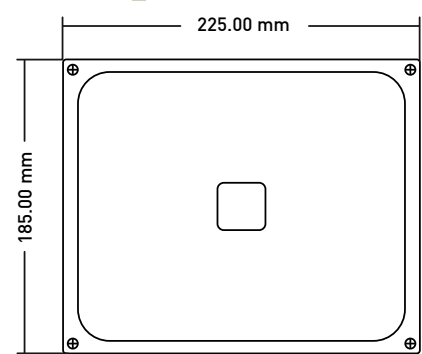
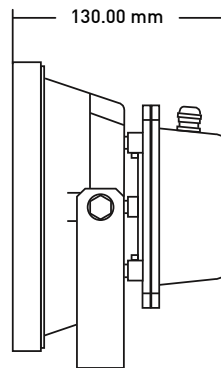
Property	Value
Power	30W
Voltage	230V / 2ph + Gnd
Current	0.13A
Power Fact.	0.96
Intensity	2600lm
Angle	120°
CCT/Color	3200/4000/6000K
IRC	>80 / >80 / >70
IPLevel	IP65
Dimensions	185x225x130mm
Casing Color	Black / Grey
Dimmable	No
LED	Spotted Bridgelux



### Goniogram



Goniogram for a 120° Fixture



High reliability  
LED chips by

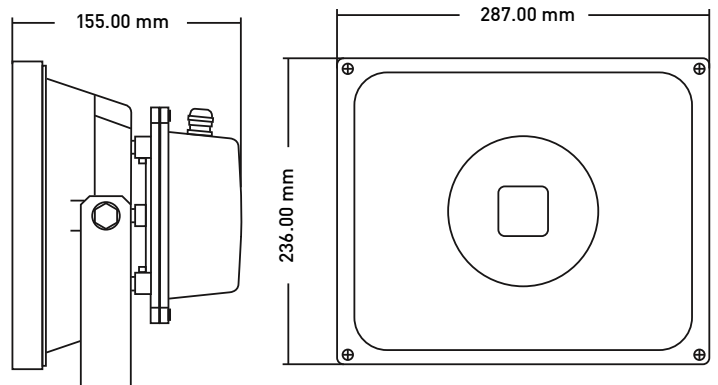


### References :

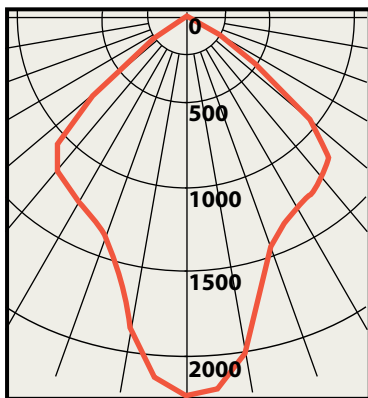
REF	Model	GTIN / EAN
BB030PSH912030	3200K 120° Black	5420061207333
BB030PSH912045	4500K 120° Black	5420061207388
BB030PSH912060	6000K 120° Black	5420061207340
BB030PSHG12030	3200K 120° Grey	5420061210555
BB030PSHG12045	4500K 120° Grey	5420061210074
BB030PSHG12060	6000K 120° Grey	5420061212498

# 50W LED SPOTLIGHT

Property	Value
Power	50W
Voltage	230V / 2ph + Gnd
Current	0.22A
Power Fact.	0.96
Intensity	4300lm
Angle	90°
CCT/Color	3200/4000/6000K
IRC	>80 / >80 / >70
IPLevel	IP65
Dimensions	236x287x160mm
Casing Color	Black / Grey
Dimmable	No
LED	Spotted Bridgelux



### Goniogram



Goniogram for a 90° Fixture

High reliability  
LED chips by



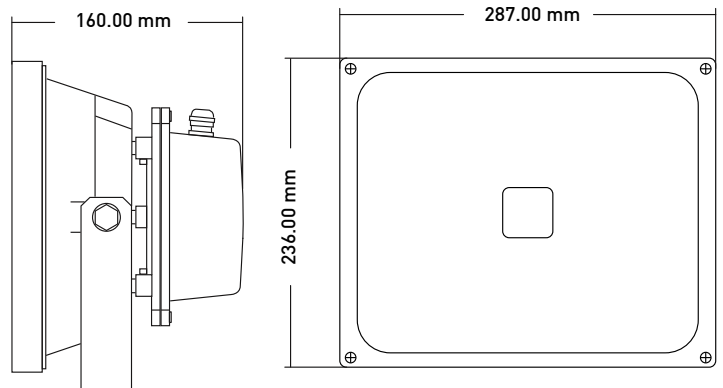
### References :

REF	Model	GTIN / EAN
BB050PSH909030	3200K 90° Black	5420061200921
BB050PSH909045	4500K 90° Black	5420061200884
BB050PSH909060	6000K 90° Black	5420061200891
BB050PSHG09030	3200K 90° Grey	5420061212566
BB050PSHG09045	4500K 90° Grey	5420061212573
BB050PSHG09060	6000K 90° Grey	5420061212580

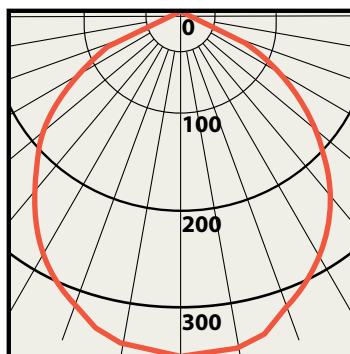


# 50W LED FLOODLIGHT

Property	Value
Power	50W
Voltage	230V / 2ph + Gnd
Current	0.22A
Power Fact.	0.96
Intensity	4300lm
Angle	120°
CCT/Color	3200/4000/6000K
IRC	>80 / >80 / >70
IPLevel	IP65
Dimensions	236x287x160mm
Casing Color	Black / Grey
Dimmable	No
LED	Spotted Bridgelux



### Goniogram



Goniogram for a 90° Fixture

High reliability  
LED chips by



### References :

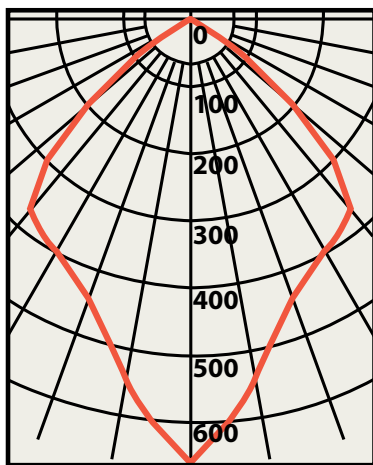
REF	Model	GTIN / EAN
BB050PSH909030	3200K 90° Black	5420061200921
BB050PSH909045	4500K 90° Black	5420061200884
BB050PSH909060	6000K 90° Black	5420061200891
BB050PSHG09030	3200K 90° Grey	5420061212566
BB050PSHG09045	4500K 90° Grey	5420061212573
BB050PSHG09060	6000K 90° Grey	5420061212580

# 70W LED SPOTLIGHT

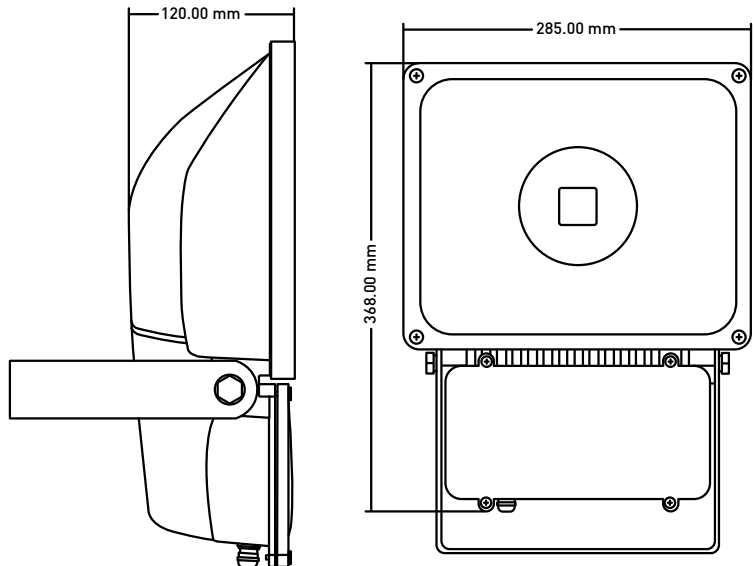
Property	Value
Power	70W
Voltage	230V / 2ph + Gnd
Current	0.31A
Power Fact.	0.96
Intensity	5800lm
Angle	120°
CCT/Color	3200/4000/6000K
IRC	>80 / >80 / >70
IPLevel	IP65
Dimensions	374x290x138mm
Casing Color	Black / Grey
Dimmable	No
LED	Spotled Bridgelux



### Goniogram



Goniogram for a 40° Fixture



High reliability  
LED chips by



### References :

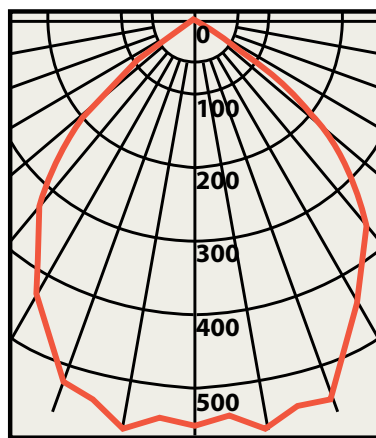
REF	Model	GTIN / EAN
BB070PSH904030	3200K 40° Black	5420061202871
BB070PSH904045	4500K 40° Black	5420061202864
BB070PSH94060	6000K 40° Black	5420061202857
BB070PSHG04030	3200K 40° Grey	5420061212627
BB070PSHG04045	4500K 40° Grey	5420061212634
BB070PSHG04060	6000K 40° Grey	5420061212641

# 70W LED FLOODLIGHT

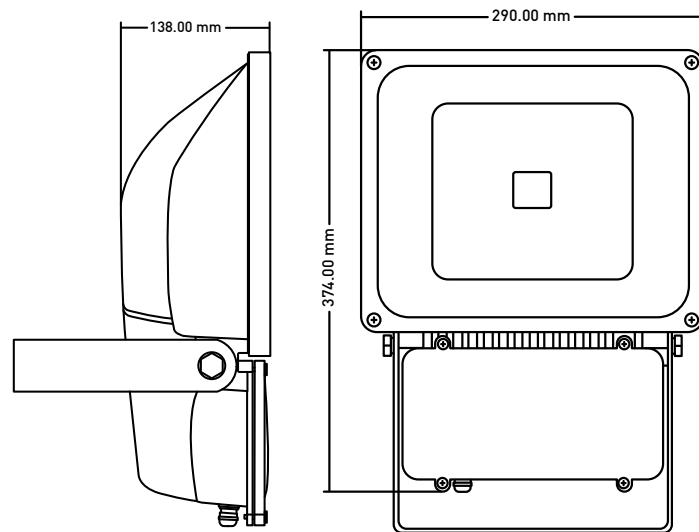
Property	Value
Power	70W
Voltage	230V / 2ph + Gnd
Current	0.31A
Power Fact.	0.96
Intensity	5800lm
Angle	120°
CCT/Color	3200/4000/6000K
IRC	>80 / >80 / >70
IPLevel	IP65
Dimensions	374x290x138mm
Casing Color	Black / Grey
Dimmable	No
LED	Spotted Bridgelux



### Goniogram



Goniogram for a 120° Fixture



High reliability  
LED chips by



### References :

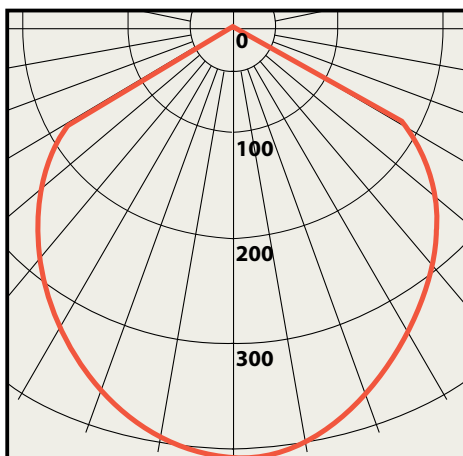
REF	Model	GTIN / EAN
BB070PSH912030	3200K 120° Black	5420061202420
BB070PSH912045	4500K 120° Black	5420061202444
BB070PSH912060	6000K 120° Black	5420061202437
BB070PSHG12030	3200K 120° Grey	5420061212597
BB070PSHG12045	4500K 120° Grey	5420061212603
BB070PSHG12060	6000K 120° Grey	5420061212610

# HIGH BAY LED DOWNLIGHT

Property	Value
Power	100W
Voltage	230VAC
Current	0.23A
Power Fact.	>0.9
Intensity	8000lm
Angle	120°/60°
CCT/Color	3200/4500/6000K
IRC	>80
IPLevel	IP65
Dimensions	515x414mm (120°)
Casing Color	Black / Aluminium
Dimmable	No
LED	45x45mm Bridgelux



## Goniogram



Goniogram for a 120° Fixture

## References :

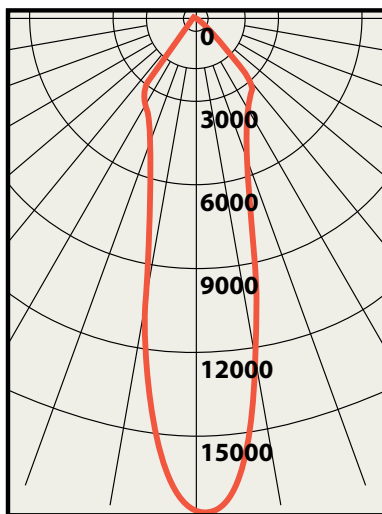
REF	Model	GTIN / EAN
BB100HSH906030	3200K 60°	
BB100HSH906045	4500K 60°	
BB100HSH906060	6000K 60°	
BB100HSH912030	3200K 120°	5420061212436
BB100HSH912045	4500K 120°	5420061212443
BB100HSH912060	6000K 120°	5420061212450

# 140W LED SPOTLIGHT

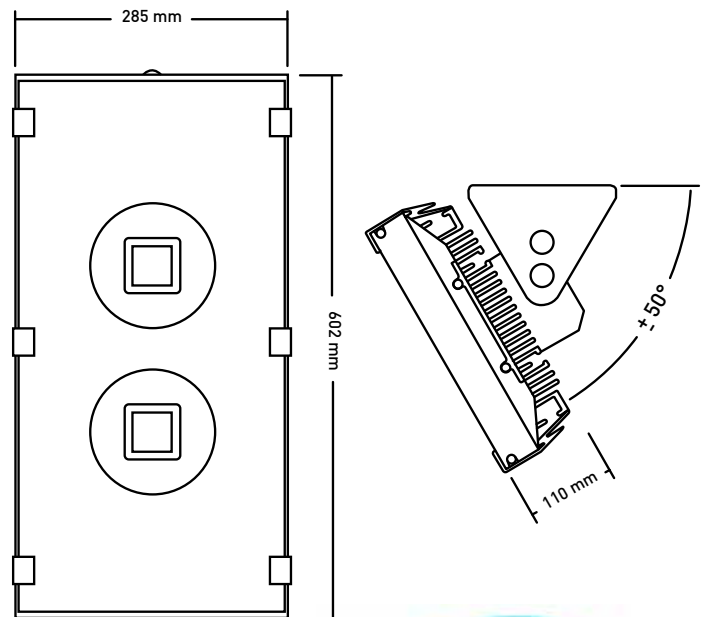


Property	Value
Power	140W
Voltage	230V / 2ph + Gnd
Current	0.61A
Power Fact.	0.96
Intensity	12600lm
Angle	40°
CCT/Color	3200/4500/6000K
IRC	>80 / >80 / >70
IPLevel	IP65
Dimensions	593x285x93mm
Casing Color	Black / Grey
Dimmable	No
LED	Spotted Bridgelux

### Goniogram



Goniogram for a 40° Fixture



High reliability  
LED chips by



### References :

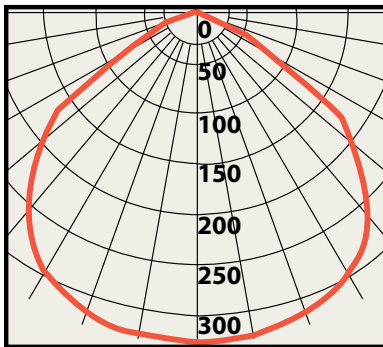
REF	Model	GTIN / EAN
BB140PSH904030	3200K 40° Black	5420061204264
BB140PSH904045	4500K 40° Black	5420061204233
BB140PSH904060	6000K 40° Black	5420061212658

# 140W LED FLOODLIGHT

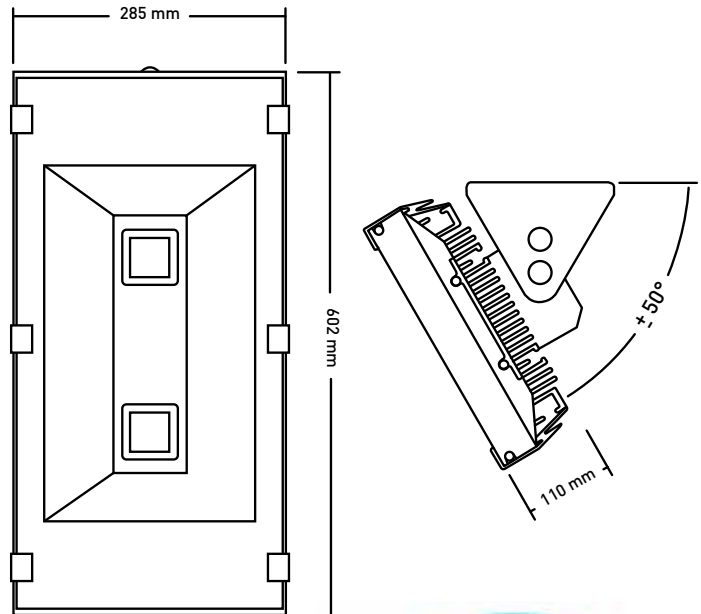
Property	Value
Power	140W
Voltage	230V / 2ph + Gnd
Current	0.61A
Power Fact.	0.96
Intensity	12600lm
Angle	120°
CCT/Color	3200/4500/6000K
IRC	>80 / >80 / >70
IPLevel	IP65
Dimensions	593x285x93mm
Casing Color	Black / Grey
Dimmable	No
LED	Spotted Bridgelux



### Goniogram



Goniogram for a 120° Fixture



High reliability  
LED chips by



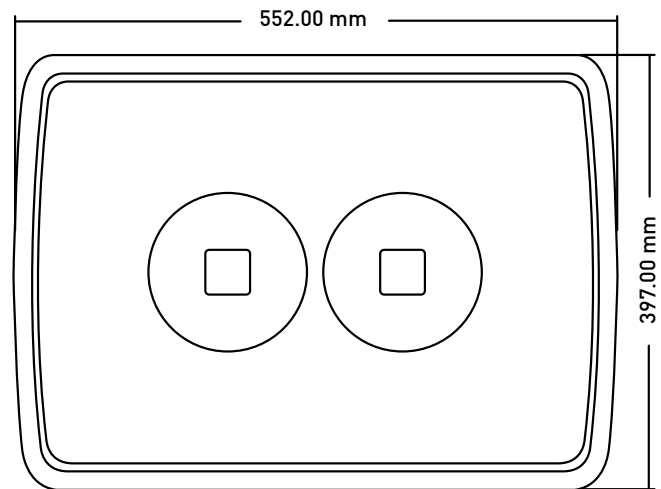
### References :

REF	Model	GTIN / EAN
BB140PSH912030	3200K 120° Black	5420061204257
BB140PSH912045	4500K 120° Black	5420061204271
BB140PSH912060	6000K 120° Black	5420061204240

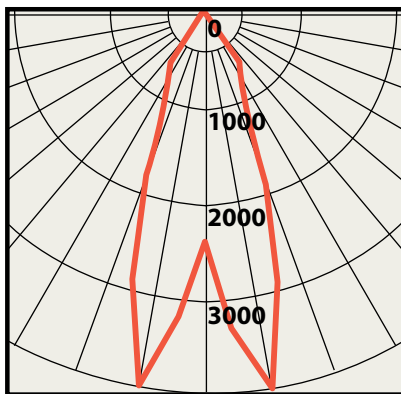
# 200W LED SPOTLIGHT



Property	Value
Power	200W
Voltage	230V / 2ph + Gnd
Current	1.15A
Power Fact.	0.96
Intensity	16400lm
Angle	40°
CCT/Color	3200/4000/6000K
IRC	>80 / >80 / >70
IPLevel	IP65
Dimensions	397x552mm
Casing Color	Black / Grey
Dimmable	No
LED	Spotted Bridgelux



### Goniogram



Goniogram for a 40° Fixture

High reliability  
LED chips by

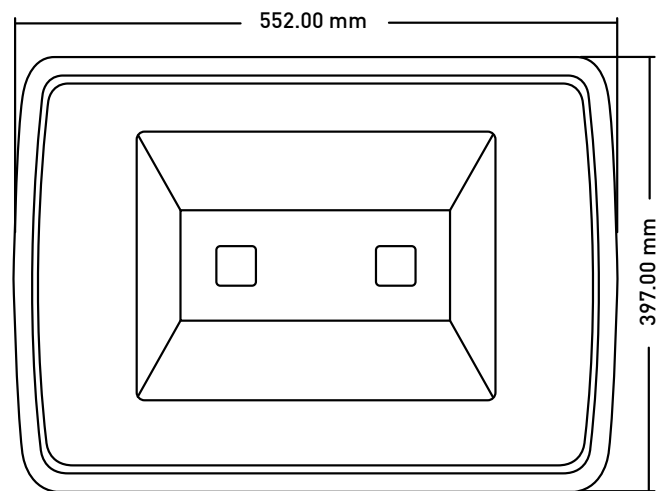


### References :

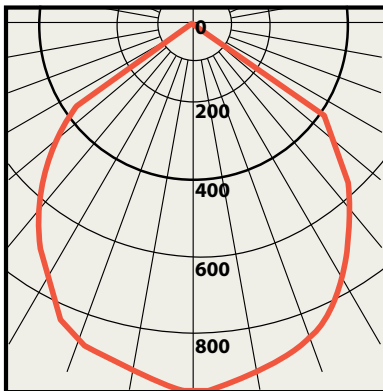
REF	Model	GTIN / EAN
BB200PSH904030	3200K 40° Black	5420061212405
BB200PSH904045	4500K 40° Black	5420061212412
BB200PSH904060	6000K 40° Black	5420061212429
BB200PSHG04030	3200K 40° Grey	
BB200PSHG04045	4500K 40° Grey	
BB200PSHG04060	6000K 40° Grey	

# 200W LED FLOODLIGHT

Property	Value
Power	200W
Voltage	230V / 2ph + Gnd
Current	1.15A
Power Fact.	0.96
Intensity	17200lm
Angle	120°
CCT/Color	3200/4000/6000K
IRC	>80 / >80 / >70
IPLevel	IP65
Dimensions	397x552mm
Casing Color	Black / Grey
Dimmable	No
LED	Spotted Bridgelux



### Goniogram



Goniogram for a 40° Fixture

High reliability  
LED chips by



### References :

REF	Model	GTIN / EAN
BB200PSH912030	3200K 120° Black	5420061212375
BB200PSH912045	4500K 120° Black	5420061212382
BB200PSH912060	6000K 120° Black	5420061212399
BB200PSHG12030	3200K 120° Grey	
BB200PSHG12045	4500K 120° Grey	
BB200PSHG12060	6000K 120° Grey	







 **spotled**